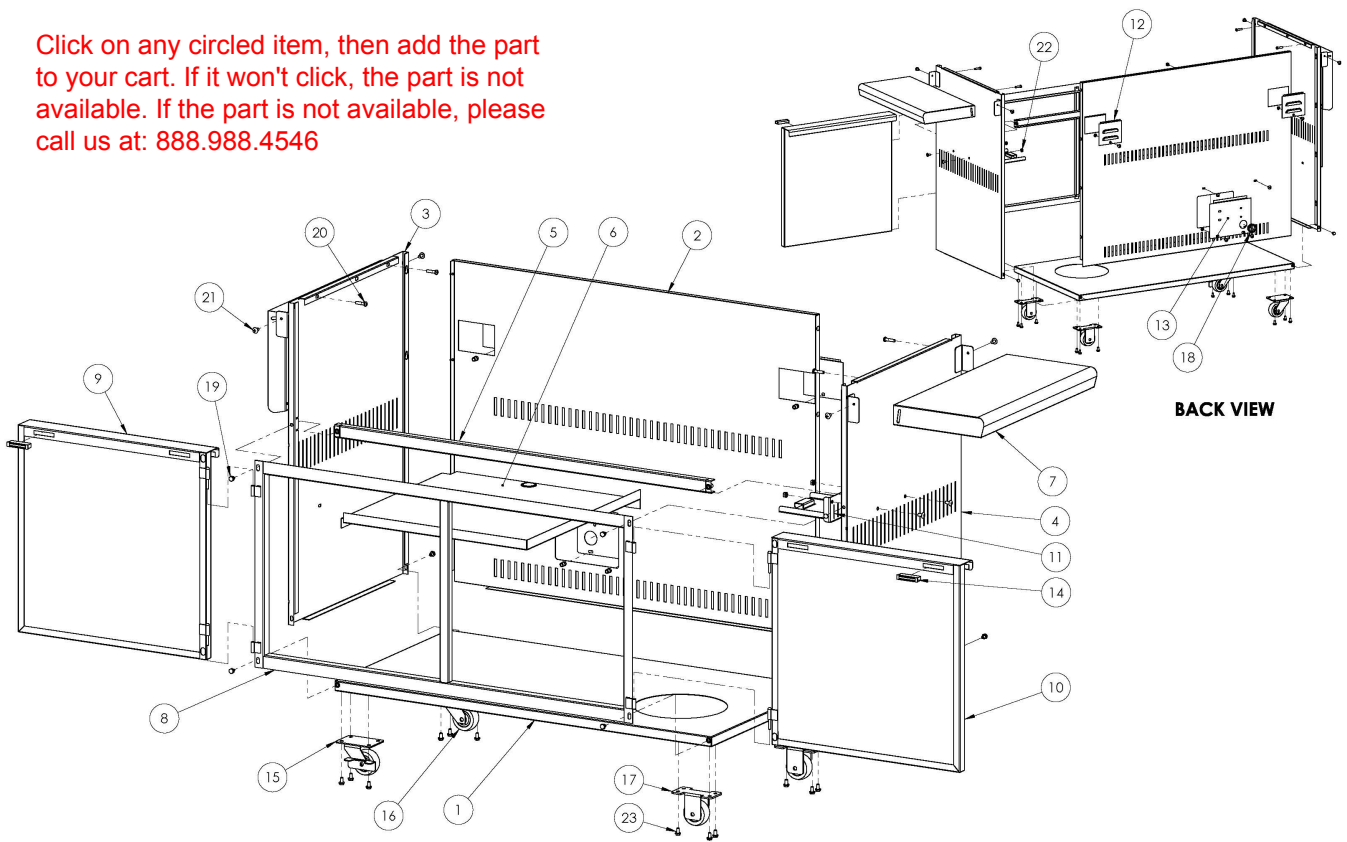


L700FR Cart

Click on any circled item, then add the part to your cart. If it won't click, the part is not available. If the part is not available, please call us at: 888.988.4546



Item	Part No.	Name	Qty	Uom	NOTES
1	70153	BASE CABINET ASSY. (42)	1	EA	
2	70152	BACK CABINET ASSY	1	EA	
3	70139	SIDE CABINET ASSY, (LH)	1	EA	
4	70140	SIDE CABINET ASSY. (RH)	1	EA	
5	70154	BRACE ASSY.	1	EA	
6	70158	SHELF ASSEMBLY	1	EA	
7	33794	SHELF, SIDE CABINET 9 (ORDER 31205 ALSO, QTY 1 PER SHELF)	2	EA	
8	70157	DOOR FRAME ASSY.	1	EA	
9	70155	DOOR PANEL ASSY. (LH)	1	EA	
10	70156	DOOR PANEL ASSY (RH)	1	EA	
11	70110	TANK BRACKET ASSY	1	EA	
12	30417	IR ACCESS COVER	2	EA	
13	33788	COVER, ELECT. MOUNTING	1	EA	
14	31132	MAGNET, SINGLE, SNAP IN .38"	2	EA	
15	30661	CASTER, 2 1/2" W/O BRAKE	1	EA	
16	30662	CASTER, 2 1/2" W/BRAKE	1	EA	
17	33843	CASTER, FIXED, 2 1/2"	2	EA	
18	31205	Grommet, Plastic, 1" ID x 1-3/8" OD	2	EA	
19	31930	BDLT, HEX HEAD, I/ 4-20 X 3/8', S/S	6	EA	
20	32639	SCREW, 1/4-20 X 1, THP, SS	4	EA	
21	30290	SCREW, 1/4-20 X 1/2, THP, STEEL	10	EA	
22	31876	NUT, 1/4-20, LKN, STEEL, W/ESL	2	EA	
23	30223	SCREW, 1/4-20 X 1/2, HWH, STEEL, SINC, SERRATED	12	EA	